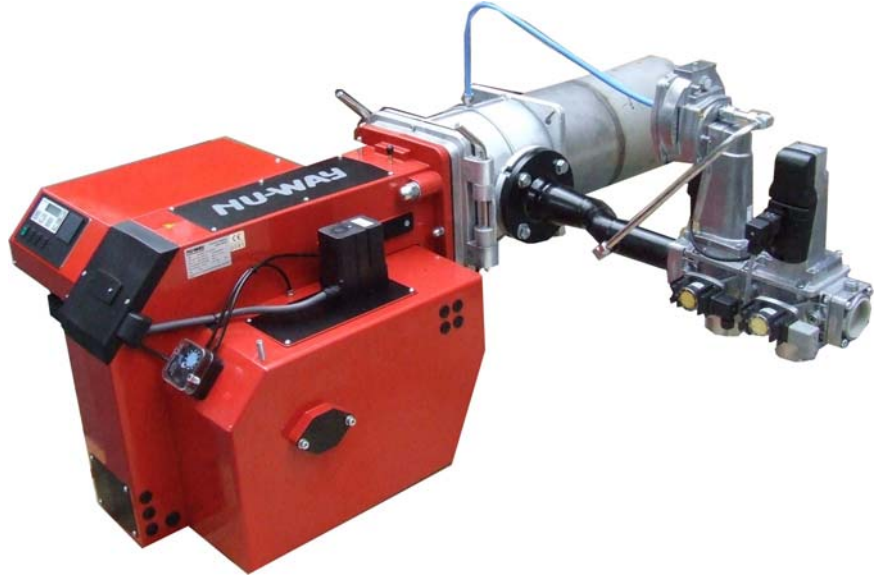


MGN860 / 1350-LN Gas Burner



MGN860/1350-LN Gas Burner features:

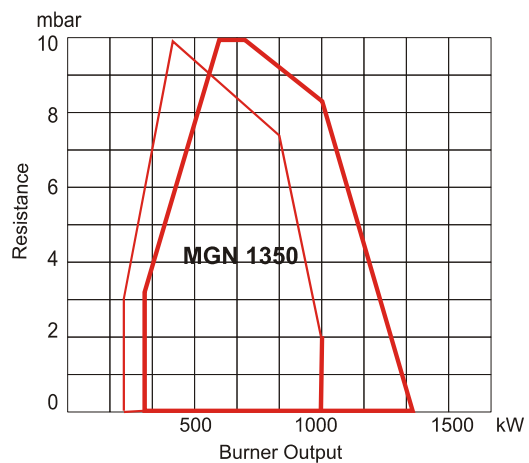
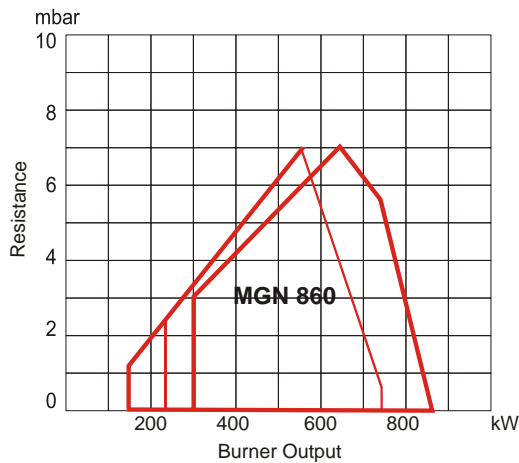
- Energy saving and compatible with environmental requirements
- Quiet in operation and designed for easy maintenance
- Designed and approved in accordance with the European Standard EN 676
- Plug-in contact facilitates the installation
- Right-hand gas train as standard (left-hand optional extra)
- Hinged flange for ease of servicing
- Designed for two stage operation (modulation controller, sensor and pocket optional extra)
- Available for natural gas, LPG, town gas, biogas
- Low NOx as standard
- Range of gas trains to suit gas supply pressure
- All kW ratings are nett CV
- Variable speed combustion fan (optional extra) (MGN420-1350)



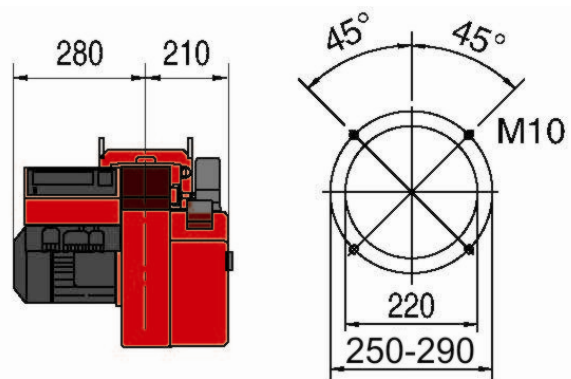
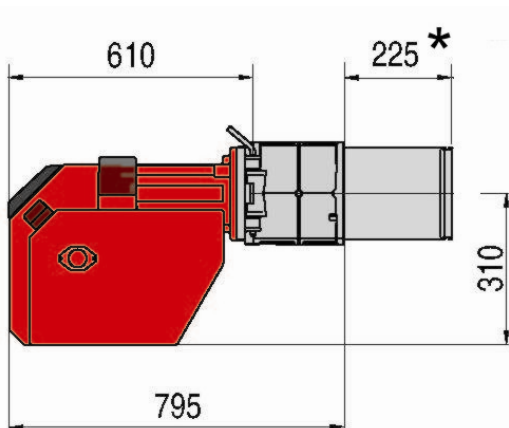
For more information on all Nu-way products
please visit www.nu-way.co.uk



Type	MGN860-LN		MGN1350-LN
Capacity	kW	225-860	225-1350
Motor	V/Hz	400 / 50	400 / 50
	kW/A (Fuse) + Control fuse	1.1 / 3 x 16 + 1 x 10.0	2.2 / 3 x 16 + 1 x 10.0
Start/Run Current	Amps	6.5 / 3.6	8.0 / 4.6
Control box		DMG 972 / MPA 22	DMG 972 / MPA 22
Flame monitoring		Ionisation	Ionisation
Operation mode		2 stage or modulating	
Gross weight - burner	kg	45	48
Gross weight - standard gas train	kg	12	12
Noise emission	dBA	≤ 78	≤ 78
NOx emission	mg/kWh	< 80	< 80



— Burner head "closed" - - - Burner head "open"



* Extended lengths Available

Enertech Limited, P O Box 1, Vines Lane
Droitwich, Worcestershire, WR9 8NA

tel: +44 (0) 1905 794331 • fax: +44 (0) 1905 794017
email: info@nu-way.co.uk • web: www.nu-way.co.uk

