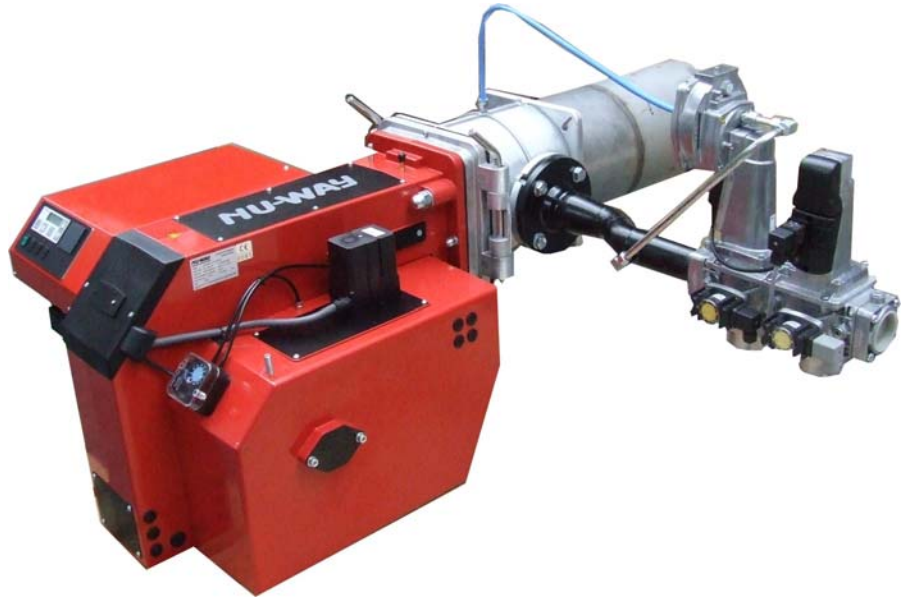


MGN 2100 / 2500 / 2800 Gas Burner



MGN 2100/2500/2800 Gas Burner features:

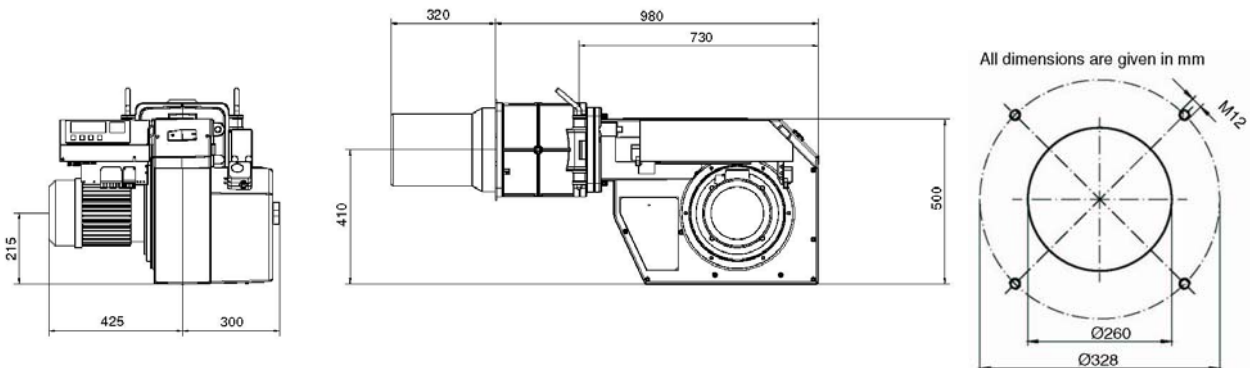
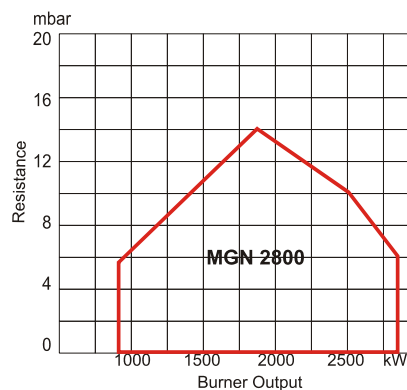
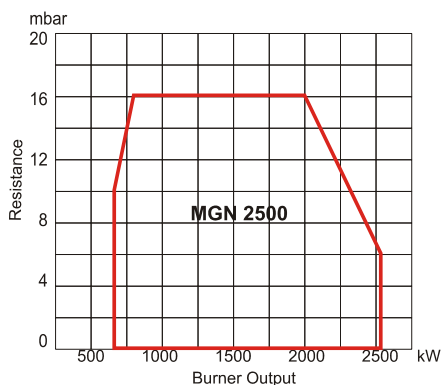
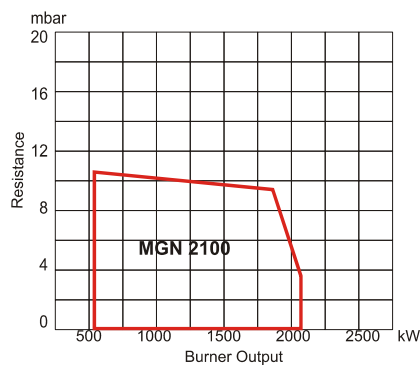
- Energy saving and compatible with environmental requirements
- Quiet in operation and designed for easy maintenance
- Designed and approved in accordance with the European Standard EN 676
- Plug-in contact facilitates the installation
- Right-hand gas train as standard (left-hand optional extra)
- Hinged flange for ease of servicing
- Designed for two stage operation (modulation controller, sensor and pocket optional extra)
- Available for natural gas, LPG, town gas, biogas
- Range of gas trains to suit gas supply pressure
- All kW ratings are nett CV



For more information on all Nu-way products
please visit www.nu-way.co.uk



Type		MGN 2100	MGN 2500	MGN 2800
Capacity	kW	533-2148	639-2539	793-2800
Motor	V/Hz	400 / 50	400 / 50	400 / 50
	kW/A (Fuse) + Control fuse	4.0 / 3 x 20 + 1 x 10	4.5 / 3 x 20 + 1 x 10	5.5 / 3 x 20 + 1 x 10
Start/Run Current	Amps	14.5 / 10.2	16.5 / 11.4	22.5 / 15.5
Control box		MPA 22	MPA 22	MPA 22
Flame monitoring		IRD	IRD	IRD
Operation mode		2 stage or modulating		
Gross weight - burner	kg	115	120	125
Gross weight – standard gas train	kg	21	21	21
Noise emission	dBA	≤ 78	≤ 78	≤ 78
NOx emission	mg/kWh	< 120	< 120	< 120



Extended Lengths Available

Enertech Limited, P O Box 1, Vines Lane
Droitwich, Worcestershire, WR9 8NA

tel: +44 (0) 1905 794331 • fax: +44 (0) 1905 794017
email: info@nu-way.co.uk • web: www.nu-way.co.uk



Enertech Group

Issue 3 6/11