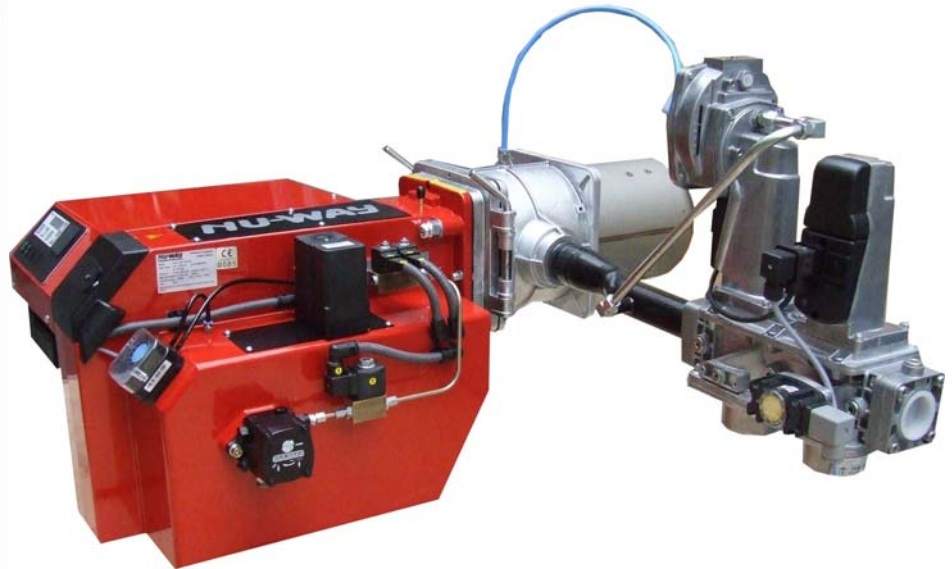


MDFL 760 / 1070 Dual Fuel Burner



MDFL 760/1070 Dual Fuel Burner features:

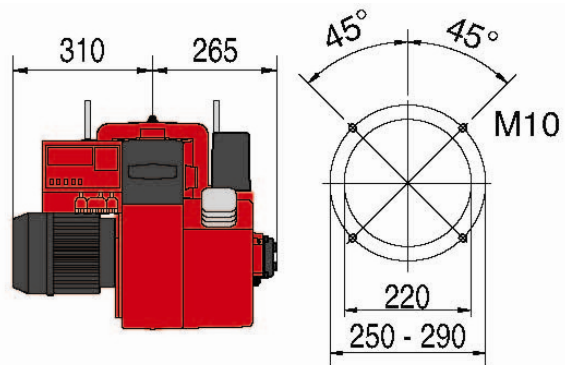
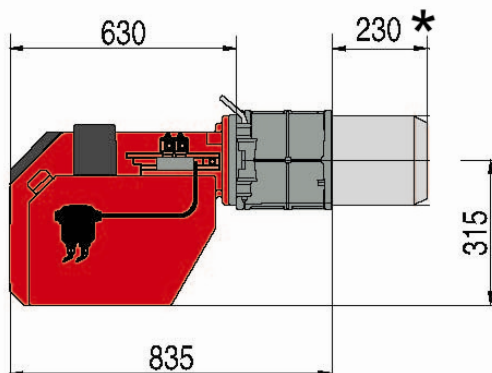
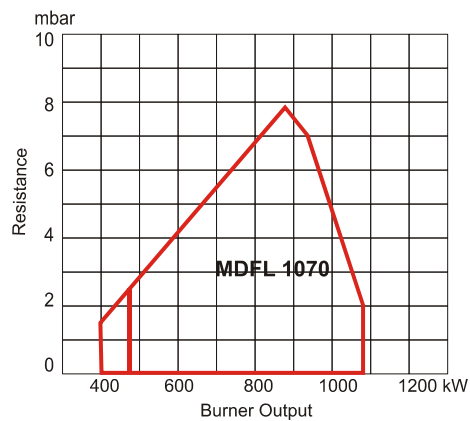
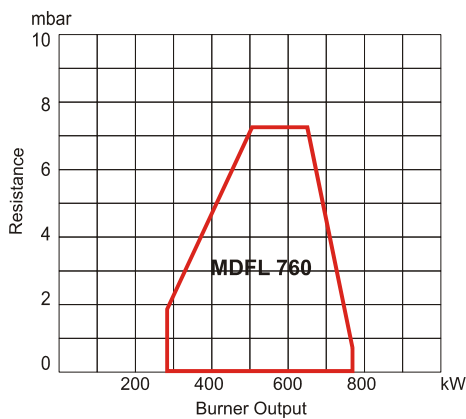
- Designed and approved in accordance with the European Standard EN 267 and EN 676
- Two stage or modulating (Gas – modulating / Oil – two stage) operation (modulation controller, sensor and pocket optional extra)
- Plug-in contact facilitates the installation
- Available for natural gas or LPG or town gas or biogas and light oil
- Hinged flange for ease of servicing
- All kW ratings are in nett CV
- Burner mounted oil pump (separate oil pump unit optional extra)
- Right-hand gas train as standard (left-hand optional extra)
- Range of gas trains to suit gas supply pressure



For more information on all Nu-way products
please visit www.nu-way.co.uk



Type		MDFL 760	MDFL 1070
Capacity	kW	280-760	414-1070
Motor	V/Hz	400 / 50	400 / 50
	kW/A (Fuse) + Control fuse	1.1 / 3 x 16 + 1 x 10	2.2 / 3 x 16 + 1 x 10
Start/Run Current	Amps	6.5 / 3.6	8.0 / 4.6
Control unit		MPA 22	MPA 22
Flame monitoring		UV	UV
Air damper motor		•	•
Gross weight - burner	kg	125	133
Gross weight —standard gas train	kg	12	12
Volume	m ³	0.46	0.46



* Extended Lengths Available

Enertech Limited, P O Box 1, Vines Lane
Droitwich, Worcestershire, WR9 8NA

tel: +44 (0) 1905 794331 • fax: +44 (0) 1905 794017
email: info@nu-way.co.uk • web: www.nu-way.co.uk

NU-WAY
Enertech Group